

824-849 MHz Low Noise Amplifier for Cellular System
--

### *General Description*

The NLC00313 is a Low Noise Amplifier for Cellular System. It has very reliable characteristics in over all temperature range.

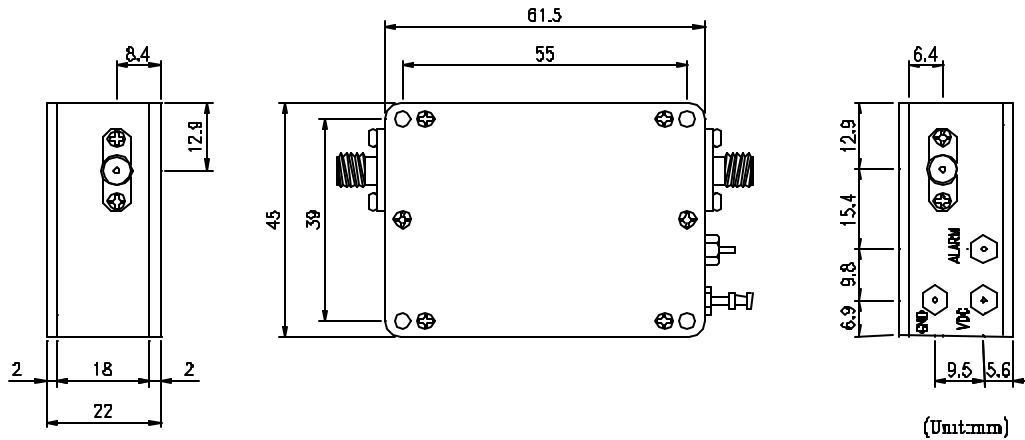
### *Performance with -30 ~ +65 °C*

Parameter	Min.	Typ.	Max.	Units
Frequency	824		849	MHz
Gain at room temperature	39		41	dB
Gain Flatness over all frequency range at room temperature			±0.5	dB
Noise Figure over all temperature range			1.2	dB
1 dB Compression Point at room temperature		18		dBm
Output Third Order Intercept Point @ +10 dBm output power /tone, room temperature	34			dBm
Input VSWR			1.4 : 1	
Output VSWR			1.4 : 1	
DC supply voltage (Vcc)		+15		V
Supplied Current			360	mA
Operating Temperature	-30		+65	°C

Customized Designs: For custom designs, including both electrical and mechanical, please contact us at [sales@nextec-rf.com](mailto:sales@nextec-rf.com).

824-849 MHz Low Noise Amplifier  
for Cellular System

*Outline Drawing*



*Connector Description*

RFin	RF input signal (SMA-F)
RFout	RF output signal (SMA-F)
Vdc	DC Supply Voltage (+15 V)

Customized Designs: For custom designs, including both electrical and mechanical, please contact us at [sales@nextec-rf.com](mailto:sales@nextec-rf.com).