

824-849 MHz Low Noise Amplifier for Cellular System

General Description

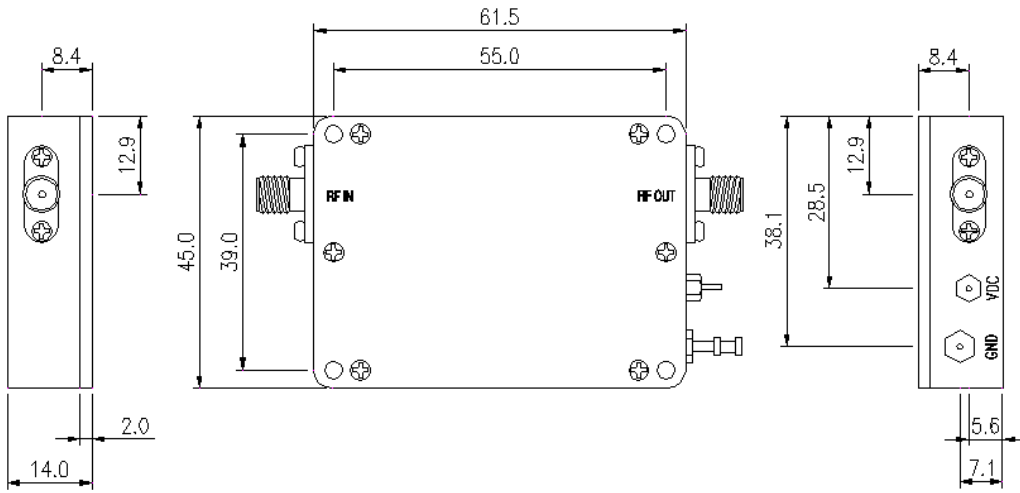
The NLC00321 is a Low Noise Amplifier for Cellular System. It has very reliable characteristics in over all temperature range. It includes EMI filter in the DC feed line so that the unit is protected from sudden impact from outside power supply.

Performance with -40 ~ +70 degC

Parameter	Min.	Typ.	Max.	Units
Frequency	824		849	MHz
Gain at room temperature	15		17	dB
Gain Flatness over all frequency range at room temperature			±0.5	dB
Noise Figure over all temperature range			1.5	dB
1 dB Compression Point at room temperature		22		dBm
Output Third Order Intercept Point @ +10 dBm output power /tone, room temperature	32			dBm
Input VSWR			1.3 : 1	
Output VSWR			1.3 : 1	
DC supply voltage (Vcc)	+8		+15	V
Supplied Current			170	mA
Operating Temperature	-40		+70	degC

824-849 MHz Low Noise Amplifier for Cellular System

Outline Drawing



(unit: mm)

Connector Description

RFin	RF input signal (SMA-F)
RFout	RF output signal (SMA-F)
Vdc	DC Supply Voltage (+8 - +15 V)