

1710-1780 MHz Low Noise Amplifier

General Description

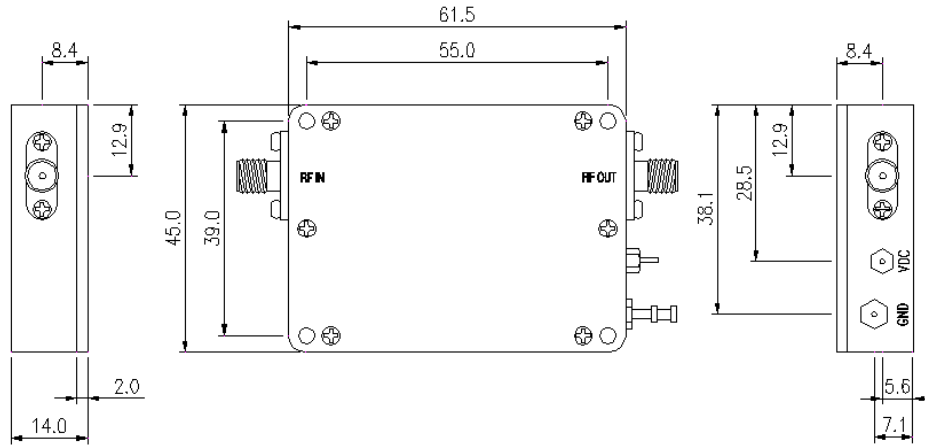
The NLC00329 is a Low Noise Amplifier for PCS and IMT-2000 Systems. It has very reliable characteristics in over all temperature range. Its DC feed line includes EMI filter so that the unit is protected from sudden impact from power supply.

Performance with -30 ~ +65 degC

Parameter	Min.	Typ.	Max.	Units
Frequency	1710		1780	MHz
Gain at room temperature	39		41	dB
Gain Flatness over all frequency range at room temperature			±0.5	dB
Noise Figure over all temperature range			1.2	dB
1 dB Compression Point at room temperature		20		dBm
Output Third Order Intercept Point @ +10 dBm output power /tone, room temperature	34			dBm
Input VSWR			1.4 : 1	
Output VSWR			1.4 : 1	
DC supply voltage (Vcc)	+8		+15	V
Supplied Current			350	mA
Operating Temperature	-30		+65	degC

1710-1780 MHz Low Noise Amplifier

Outline Drawing



(unit: mm)

Connector Description

RFin	RF input signal (SMA-F)
RFout	RF output signal (SMA-F)
Vdc	DC Supply Voltage (+8 - +15 V)