

1750-1780 MHz Low Noise Amplifier

General Description

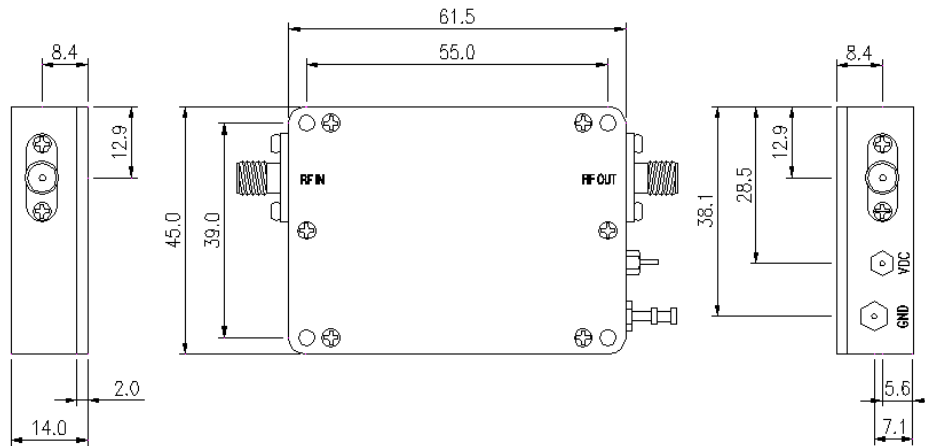
The NLC00350 is a Low Noise Amplifier for IMT-2000 System. It has very reliable characteristics in over all temperature range. Its DC feed line includes EMI filter so that the unit is protected from sudden impact from power supply.

Performance with -30 ~ +65 degC

Parameter	Min.	Typ.	Max.	Units
Frequency	1750		1780	MHz
Gain at room temperature	24		26	dB
Gain Flatness over all frequency range at room temperature			±0.5	dB
Noise Figure over all temperature range			1.2	dB
1 dB Compression Point at room temperature		16		dBm
Output Third Order Intercept Point @ +10 dBm output power /tone, room temperature	30			dBm
Input VSWR			1.4 : 1	
Output VSWR			1.4 : 1	
DC supply voltage (Vcc)	+8		+15	V
Supplied Current			250	mA
Operating Temperature	-30		+65	degC

1750-1780 MHz Low Noise Amplifier

Outline Drawing



(unit: mm)

Connector Description

RFin	RF input signal (SMA-F)
RFout	RF output signal (SMA-F)
Vdc	DC Supply Voltage (+8 - +15 V)