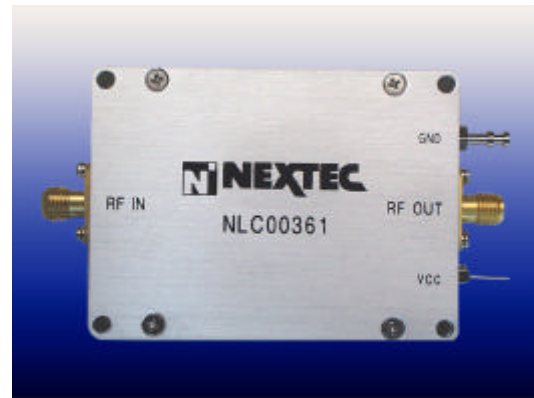


1920-1990 MHz Low Noise Amplifier

General Description

The NLC00361 is a Low Noise Amplifier for PCS Systems. It has very reliable characteristics in over all temperature range. Its DC feed line includes EMI filter so that the unit is protected from a sudden impact from power supply.

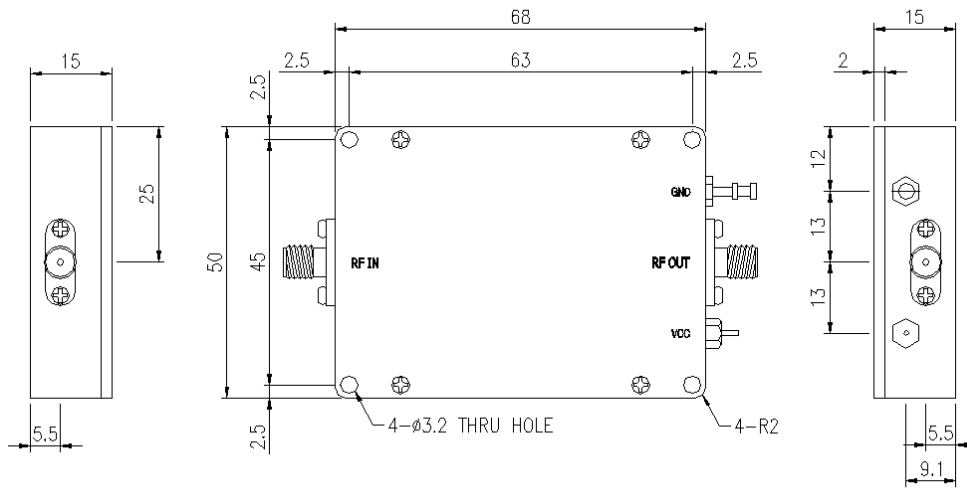


Performance with -30 ~ +65 degC

Parameter	Min.	Typ.	Max.	Units
Frequency	1920		1990	MHz
Gain at room temperature	24		26	dB
Gain Flatness over all frequency range at room temperature			±0.5	dB
Noise Figure over all temperature range			1.2	dB
1 dB Compression Point at room temperature		18		dBm
Output Third Order Intercept Point @ +10 dBm output power /tone, room temperature	35			dBm
Input VSWR			1.3 : 1	
Output VSWR			1.5 : 1	
DC supply voltage (Vcc)	+5		+20	V
Supplied Current			270	mA
Operating Temperature	-30		+65	degC

1920-1990 MHz Low Noise Amplifier

Outline Drawing



(unit: mm)

Connector Description

RFin	RF input signal (SMA-F)
RFout	RF output signal (SMA-F)
Vdc,	DC Supply Voltage (+5 ~ +20 V)