

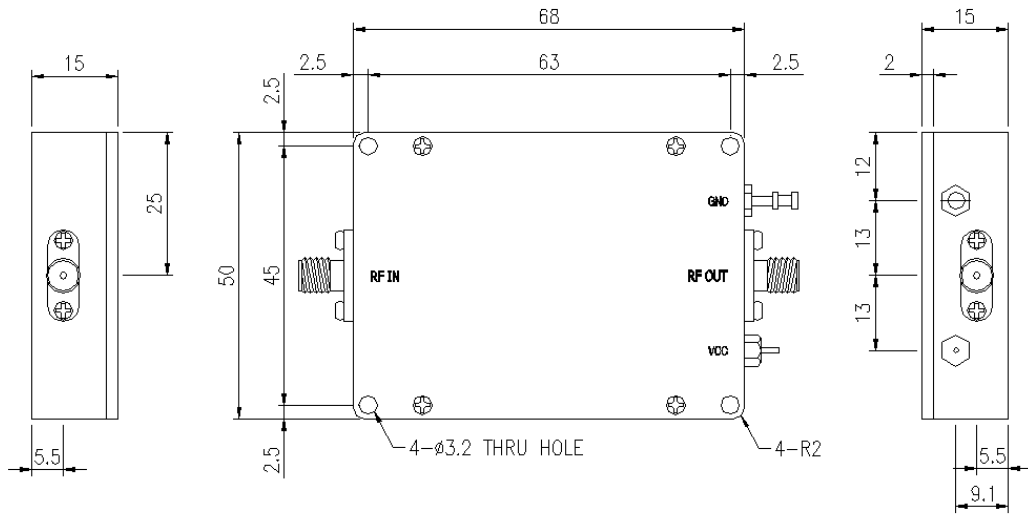
1525-1559 MHz Low Noise Amplifier

Performance with -30 ~ +65 degC

Parameter	Min.	Typ.	Max.	Units
Frequency	1525		1559	MHz
Gain at room temperature	29		31	dB
Gain Flatness over all frequency range at room temperature			±0.5	dB
Noise Figure over all temperature range			1.1	dB
1 dB Compression Point at room temperature		18		dBm
Output Third Order Intercept Point @ +10 dBm output power /tone, room temperature	35			dBm
Input VSWR			1.3 : 1	
Output VSWR			1.5 : 1	
DC supply voltage (Vcc)	+5		+15	V
Supplied Current			270	mA
Operating Temperature	-30		+65	degC

1525-1559 MHz Low Noise Amplifier

Outline Drawing



(unit: mm)

Connector Description

RFin	RF input signal (SMA-F)
RFout	RF output signal (SMA-F)
Vdc	DC Supply Voltage (+5~+15 V)