

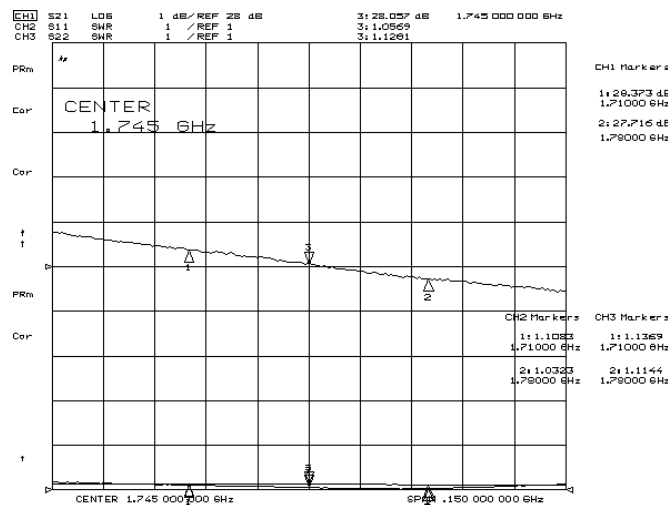
1710-1780 MHz Low Noise Amplifier

Performance (+25 °C)

Parameter	Min.	Typ.	Max.	Units
Frequency	1710-1780			MHz
Gain	27	28		dB
Gain Flatness	-	-	+/-0.5	dB
Noise Figure	-	-	1.0	dB
Output Power at 1 dB Compression	-	16	-	dBm
Third Order Intercept Point (at +10 dBm output power/tone)	34	-	-	dBm
Input VSWR	-	-	1.4:1	
Output VSWR	-	-	1.4:1	
DC Input	+8	+9	+15	V
DC Current	-	-	250	mA

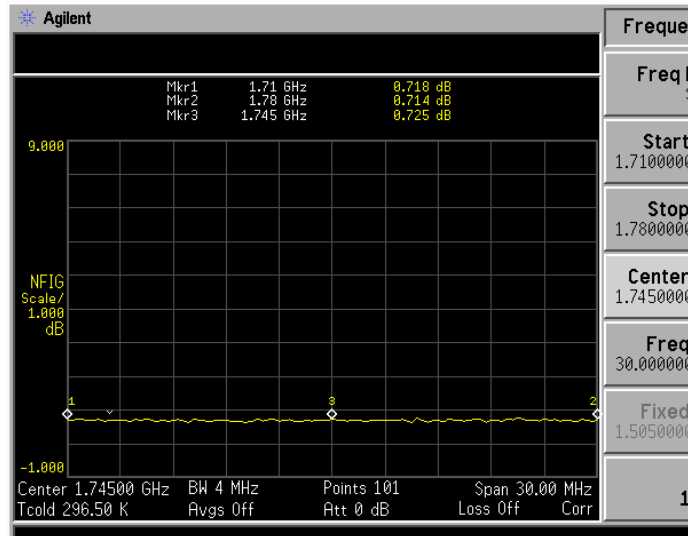
Typical Test Data

Gain and Return Loss at 25 °C

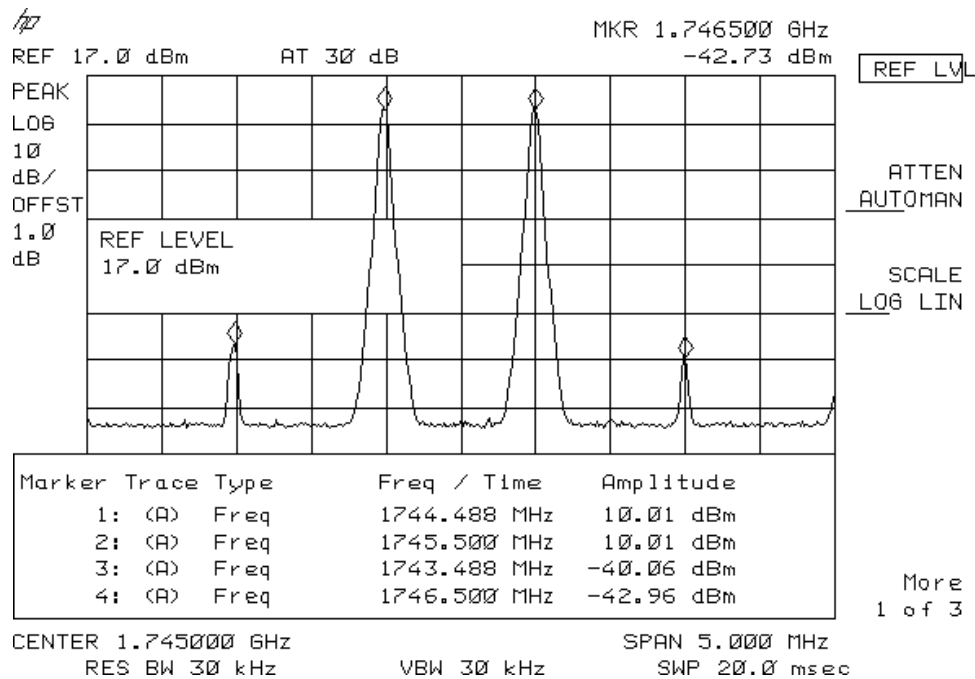


1710-1780 MHz Low Noise Amplifier

Noise Figure at 25 °C

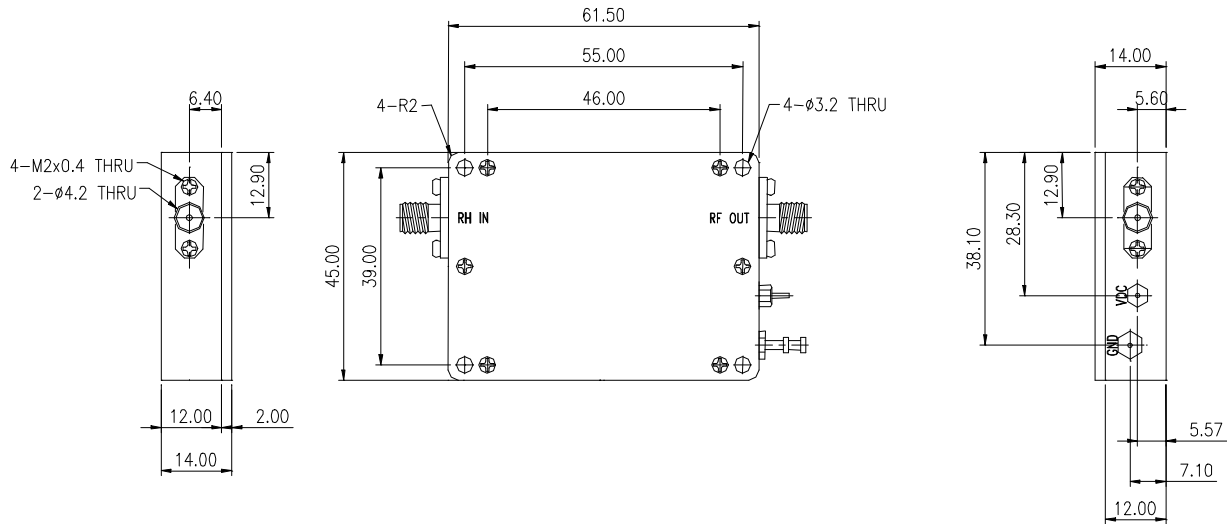


Two Tone Test



1710-1780 MHz Low Noise Amplifier

Outline Drawing



(unit: mm)

Connector Description

RFin	RF input signal (SMA-F)
RFout	RF output signal (SMA-F)
Vdc	DC Supply Voltage (+8 - +15 V)
GND	Ground